

---

Cable ID	Summary	Test Limit	Length	Headroom	Date / Time
160	N/A	Document only	265 ft	N/A	01/01/1970 12:57 AM

Total Length:	265 ft
Number of Reports:	1
Number of Passing Reports:	0
Number of Failing Reports:	0
Number of Warning Reports:	0
Documentation Only:	1

**Cable ID: 160**

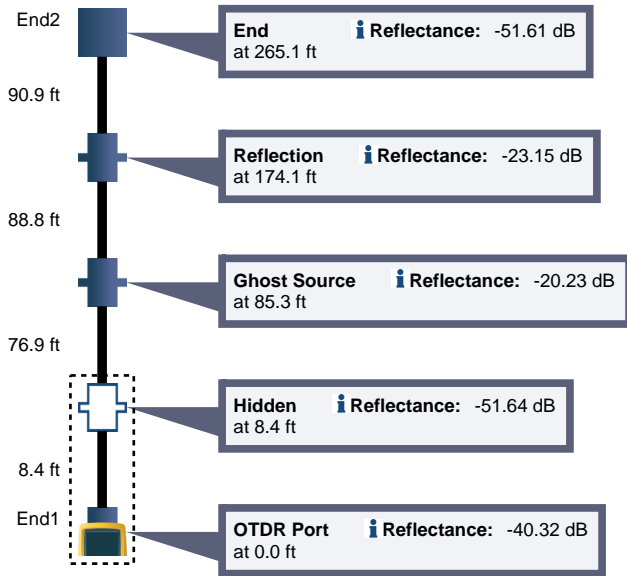
Date / Time: 01/01/1970 12:57:46 AM      n = 1.4820 (850 nm)  
 Cable Type: OM4 Multimode 50              n = 1.4790 (1300 nm)  
 Backscatter Coefficient: -68.0dB (850 nm)      Backscatter Coefficient: -75.8dB (1300 nm)

**Test Summary: N/A**

Modal Bandwidth: 4700MHz-km (850 nm)  
 Modal Bandwidth: 500MHz-km (1300 nm)

**OTDR End1 EventMap**

**Fiber Length:** 265.1 ft  
**Overall Loss:** ---



**Cable ID: 160**

Date / Time: 01/01/1970 12:57:46 AM n = 1.4820 (850 nm)  
 Cable Type: OM4 Multimode 50 n = 1.4790 (1300 nm)  
 Backscatter Coefficient: -68.0dB (850 nm) Backscatter Coefficient: -75.8dB (1300 nm)

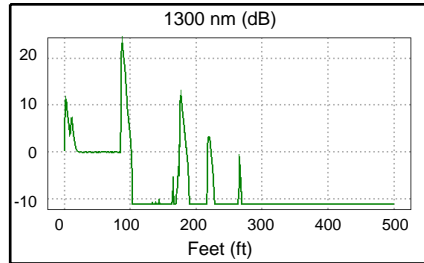
**Test Summary: N/A**

Modal Bandwidth: 4700MHz-km (850 nm)  
 Modal Bandwidth: 500MHz-km (1300 nm)

**OTDR End1**

Test Limit: Document only

Limits Version: 2.3  
 Date / Time: 01/01/1970 12:57:46 AM  
 Operator: SA0 JOSE  
 Tester: OptiFiber Pro (2441794 V2.3 Build 2)  
 Module: OFP-QUAD (2632002)  
 Calibration Date: 12/19/2013



No Launch Compensation

Overall Results	1300 nm	Limit
Overall Length (ft)	265.1	
Overall Loss (dB)	---	
ORL (dB)	17.88	

**Settings (Auto OTDR) 1300 nm**  
 Auto OTDR  
 Range (Auto) 501 ft  
 Resolution (Auto) 0.1 ft  
 Pulse Width (Auto) 3 ns  
 Averaging Time (Auto) 1 s  
 Loss Threshold (Auto) 0.10 dB  
 End Threshold (Auto) 0.00 dB

Events	Loss (dB)		Reflectance (dB)		Attn Coeff (dB/km)	
	1300 nm	Limit	1300 nm	Limit	1300 nm	Limit
265.1 ft End	N/A		-51.61		N/A	
217.0 ft Ghost	N/A		-40.84		N/A	
174.1 ft Reflection	N/A		-23.15		N/A	
85.3 ft Ghost Source	N/A		-20.23		0.80	
8.4 ft Hidden	N/A		-51.64		N/A	
0.0 ft OTDR Port	N/A		-40.32		N/A	

-WARNING: Launch event not found.  
 -WARNING: Cannot measure overall loss.