

DM74LS90/DM74LS93 Decade and Binary Counters

General Description

Each of these monolithic counters contains four master-slave flip-flops and additional gating to provide a divide-by-two counter and a three-stage binary counter for which the count cycle length is divide-by-five for the 'LS90 and divide-by-eight for the 'LS93.

All of these counters have a gated zero reset and the LS90 also has gated set-to-nine inputs for use in BCD nine's complement applications.

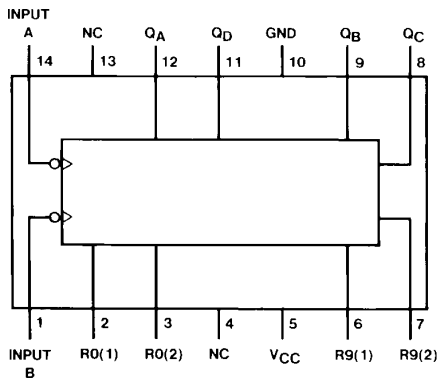
To use their maximum count length (decade or four bit binary), the B input is connected to the Q_A output. The input

count pulses are applied to input A and the outputs are as described in the appropriate truth table. A symmetrical divide-by-ten count can be obtained from the 'LS90 counters by connecting the Q_D output to the A input and applying the input count to the B input which gives a divide-by-ten square wave at output Q_A .

Features

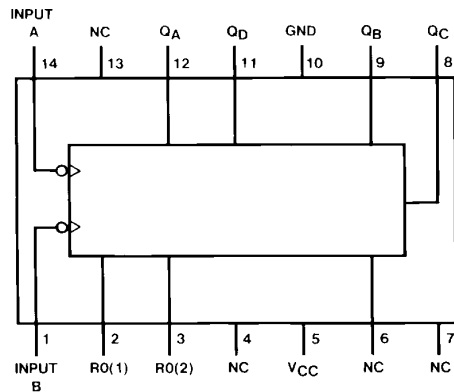
- Typical power dissipation 45 mW
- Count frequency 42 MHz

Connection Diagrams (Dual-In-Line Packages)



TL/F/6381-1

Order Number DM74LS90M or DM74LS90N
See NS Package Number M14A or N14A



TL/F/6381-2

Order Number DM74LS93M or DM74LS93N
See NS Package Number M14A or N14A

Absolute Maximum Ratings (Note)

If Military/Aerospace specified devices are required, please contact the National Semiconductor Sales Office/Distributors for availability and specifications.

Supply Voltage	7V
Input Voltage (Reset)	7V
Input Voltage (A or B)	5.5V
Operating Free Air Temperature Range	
DM74LS	0°C to +70°C
Storage Temperature Range	-65°C to +150°C

Note: The "Absolute Maximum Ratings" are those values beyond which the safety of the device cannot be guaranteed. The device should not be operated at these limits. The parametric values defined in the "Electrical Characteristics" table are not guaranteed at the absolute maximum ratings. The "Recommended Operating Conditions" table will define the conditions for actual device operation.

Recommended Operating Conditions

Symbol	Parameter	DM74LS90			Units
		Min	Nom	Max	
V _{CC}	Supply Voltage	4.75	5	5.25	V
V _{IH}	High Level Input Voltage	2			V
V _{IL}	Low Level Input Voltage			0.8	V
I _{OH}	High Level Output Current			-0.4	mA
I _{OL}	Low Level Output Current			8	mA
f _{CLK}	Clock Frequency (Note 1)	A to Q _A	0	32	MHz
		B to Q _B	0	16	
f _{CLK}	Clock Frequency (Note 2)	A to Q _A	0	20	MHz
		B to Q _B	0	10	
t _W	Pulse Width (Note 1)	A	15		ns
		B	30		
		Reset	15		
t _W	Pulse Width (Note 2)	A	25		ns
		B	50		
		Reset	25		
t _{REL}	Reset Release Time (Note 1)	25			ns
t _{REL}	Reset Release Time (Note 2)	35			ns
T _A	Free Air Operating Temperature	0		70	°C

Note 1: C_L = 15 pF, R_L = 2 kΩ, T_A = 25°C and V_{CC} = 5V.

Note 2: C_L = 50 pF, R_L = 2 kΩ, T_A = 25°C and V_{CC} = 5V.

'LS90 Electrical Characteristics

over recommended operating free air temperature range (unless otherwise noted)

Symbol	Parameter	Conditions	Min	Typ (Note 1)	Max	Units
V _I	Input Clamp Voltage	V _{CC} = Min, I _I = -18 mA			-1.5	V
V _{OH}	High Level Output Voltage	V _{CC} = Min, I _{OH} = Max V _{IL} = Max, V _{IH} = Min	2.7	3.4		V
V _{OL}	Low Level Output Voltage	V _{CC} = Min, I _{OL} = Max V _{IL} = Max, V _{IH} = Min (Note 4)		0.35	0.5	V
		I _{OL} = 4 mA, V _{CC} = Min		0.25	0.4	
I _I	Input Current @ Max Input Voltage	V _{CC} = Max, V _I = 7V	Reset		0.1	mA
		V _{CC} = Max V _I = 5.5V	A		0.2	
			B		0.4	

'LS90 Electrical Characteristics

over recommended operating free air temperature range (unless otherwise noted) (Continued)

Symbol	Parameter	Conditions	Min	Typ (Note 1)	Max	Units
I _{IH}	High Level Input Current	V _{CC} = Max, V _I = 2.7V	Reset		20	μA
			A		40	
			B		80	
I _{IL}	Low Level Input Current	V _{CC} = Max, V _I = 0.4V	Reset		-0.4	mA
			A		-2.4	
			B		-3.2	
I _{OS}	Short Circuit Output Current	V _{CC} = Max (Note 2)	-20		-100	mA
I _{CC}	Supply Current	V _{CC} = Max (Note 3)		9	15	mA

Note 1: All typicals are at V_{CC} = 5V, T_A = 25°C.

Note 2: Not more than one output should be shorted at a time, and the duration should not exceed one second.

Note 3: I_{CC} is measured with all outputs open, both RO inputs grounded following momentary connection to 4.5V and all other inputs grounded.

Note 4: Q_A outputs are tested at I_{OL} = Max plus the limit value of I_{IL} for the B input. This permits driving the B input while maintaining full fan-out capability.

'LS90 Switching Characteristics

at V_{CC} = 5V and T_A = 25°C (See Section 1 for Test Waveforms and Output Load)

Symbol	Parameter	From (Input) To (Output)	R _L = 2 kΩ				Units
			C _L = 15 pF		C _L = 50 pF		
			Min	Max	Min	Max	
f _{MAX}	Maximum Clock Frequency	A to Q _A	32		20		MHz
		B to Q _B	16		10		
t _{PLH}	Propagation Delay Time Low to High Level Output	A to Q _A		16		20	ns
t _{PHL}	Propagation Delay Time High to Low Level Output	A to Q _A		18		24	ns
t _{PLH}	Propagation Delay Time Low to High Level Output	A to Q _D		48		52	ns
t _{PHL}	Propagation Delay Time High to Low Level Output	A to Q _D		50		60	ns
t _{PLH}	Propagation Delay Time Low to High Level Output	B to Q _B		16		23	ns
t _{PHL}	Propagation Delay Time High to Low Level Output	B to Q _B		21		30	ns
t _{PLH}	Propagation Delay Time Low to High Level Output	B to Q _C		32		37	ns
t _{PHL}	Propagation Delay Time High to Low Level Output	B to Q _C		35		44	ns
t _{PLH}	Propagation Delay Time Low to High Level Output	B to Q _D		32		36	ns
t _{PHL}	Propagation Delay Time High to Low Level Output	B to Q _D		35		44	ns
t _{PLH}	Propagation Delay Time Low to High Level Output	SET-9 to Q _A , Q _D		30		35	ns
t _{PHL}	Propagation Delay Time High to Low Level Output	SET-9 to Q _B , Q _C		40		48	ns
t _{PHL}	Propagation Delay Time High to Low Level Output	SET-0 to Any Q		40		52	ns

Recommended Operating Conditions

Symbol	Parameter		DM74LS93			Units
			Min	Nom	Max	
V _{CC}	Supply Voltage		4.75	5	5.25	V
V _{IH}	High Level Input Voltage		2			V
V _{IL}	Low Level Input Voltage				0.8	V
I _{OH}	High Level Output Current				-0.4	mA
I _{OL}	Low Level Output Current				8	mA
f _{CLK}	Clock Frequency (Note 1)	A to Q _A	0		32	MHz
		B to Q _B	0		16	
f _{CLK}	Clock Frequency (Note 2)	A to Q _A	0		20	
		B to Q _B	0		10	
t _w	Pulse Width (Note 1)	A	15			ns
		B	30			
		Reset	15			
t _w	Pulse Width (Note 2)	A	25			ns
		B	50			
		Reset	25			
t _{REL}	Reset Release Time (Note 1)		25			ns
t _{REL}	Reset Release Time (Note 2)		35			ns
T _A	Free Air Operating Temperature		0		70	°C

Note 1: C_L = 15 pF, R_L = 2 kΩ, T_A = 25°C and V_{CC} = 5V.

Note 2: C_L = 50 pF, R_L = 2 kΩ, T_A = 25°C and V_{CC} = 5V.

'LS93 Electrical Characteristics

over recommended operating free air temperature range (unless otherwise noted)

Symbol	Parameter	Conditions	Min	Typ (Note 1)	Max	Units
V _I	Input Clamp Voltage	V _{CC} = Min, I _I = -18 mA			-1.5	V
V _{OH}	High Level Output Voltage	V _{CC} = Min, I _{OH} = Max V _{IL} = Max, V _{IH} = Min	2.7	3.4		V
V _{OL}	Low Level Output Voltage	V _{CC} = Min, I _{OL} = Max V _{IL} = Max, V _{IH} = Min (Note 4)		0.35	0.5	V
		I _{OL} = 4 mA, V _{CC} = Min		0.25	0.4	
I _I	Input Current @Max Input Voltage	V _{CC} = Max, V _I = 7V	Reset		0.1	mA
		V _{CC} = Max V _I = 5.5V	A		0.2	
			B		0.4	
I _{IH}	High Level Input Current	V _{CC} = Max V _I = 2.7V	Reset		20	μA
			A		40	
			B		80	

'LS93 Electrical Characteristics

over recommended operating free air temperature range (unless otherwise noted) (Continued)

Symbol	Parameter	Conditions	Min	Typ (Note 1)	Max	Units	
I_{IL}	Low Level Input Current	$V_{CC} = \text{Max}, V_I = 0.4V$	Reset			-0.4	mA
			A			-2.4	
			B			-1.6	
I_{OS}	Short Circuit Output Current	$V_{CC} = \text{Max}$ (Note 2)	-20		-100	mA	
I_{CC}	Supply Current	$V_{CC} = \text{Max}$ (Note 3)		9	15	mA	

Note 1: All typicals are at $V_{CC} = 5V, T_A = 25^\circ C$.

Note 2: Not more than one output should be shorted at a time, and the duration should not exceed one second.

Note 3: I_{CC} is measured with all outputs open, both RO inputs grounded following momentary connection to 4.5V and all other inputs grounded.

Note 4: Q_A outputs are tested at $I_{OL} = \text{max}$ plus the limit value of I_{IL} for the B input. This permits driving the B input while maintaining full fan-out capability.

'LS93 Switching Characteristics

at $V_{CC} = 5V$ and $T_A = 25^\circ C$ (See Section 1 for Test Waveforms and Output Load)

Symbol	Parameter	From (Input) To (Output)	$R_L = 2 k\Omega$				Units
			$C_L = 15 pF$		$C_L = 50 pF$		
			Min	Max	Min	Max	
f_{MAX}	Maximum Clock Frequency	A to Q_A	32		20		MHz
		B to Q_B	16		10		
t_{PLH}	Propagation Delay Time Low to High Level Output	A to Q_A		16		20	ns
t_{PHL}	Propagation Delay Time High to Low Level Output	A to Q_A		18		24	ns
t_{PLH}	Propagation Delay Time Low to High Level Output	A to Q_D		70		85	ns
t_{PHL}	Propagation Delay Time High to Low Level Output	A to Q_D		70		90	ns
t_{PLH}	Propagation Delay Time Low to High Level Output	B to Q_B		16		23	ns
t_{PHL}	Propagation Delay Time High to Low Level Output	B to Q_B		21		30	ns
t_{PLH}	Propagation Delay Time Low to High Level Output	B to Q_C		32		37	ns
t_{PHL}	Propagation Delay Time High to Low Level Output	B to Q_C		35		44	ns
t_{PLH}	Propagation Delay Time Low to High Level Output	B to Q_D		51		60	ns
t_{PHL}	Propagation Delay Time High to Low Level Output	B to Q_D		51		70	ns
t_{PHL}	Propagation Delay Time High to Low Level Output	SET-0 to Any Q		40		52	ns

Function Tables

LS90
BCD Count Sequence
(See Note A)

Count	Output			
	Q _D	Q _C	Q _B	Q _A
0	L	L	L	L
1	L	L	L	H
2	L	L	H	L
3	L	L	H	H
4	L	H	L	L
5	L	H	L	H
6	L	H	H	L
7	L	H	H	H
8	H	L	L	L
9	H	L	L	H

LS90
Bi-Quinary (5-2)
(See Note B)

Count	Output			
	Q _A	Q _D	Q _C	Q _B
0	L	L	L	L
1	L	L	L	H
2	L	L	H	L
3	L	L	H	H
4	L	H	L	L
5	H	L	L	L
6	H	L	L	H
7	H	L	H	L
8	H	L	H	H
9	H	H	L	L

LS93
Count Sequence
(See Note C)

Count	Output			
	Q _D	Q _C	Q _B	Q _A
0	L	L	L	L
1	L	L	L	H
2	L	L	H	L
3	L	L	H	H
4	L	H	L	L
5	L	H	L	H
6	L	H	H	L
7	L	H	H	H
8	H	L	L	L
9	H	L	L	H
10	H	L	H	L
11	H	L	H	H
12	H	H	L	L
13	H	H	L	H
14	H	H	H	L
15	H	H	H	H

LS90
Reset/Count Truth Table

Reset Inputs				Output			
R0(1)	R0(2)	R9(1)	R9(2)	Q _D	Q _C	Q _B	Q _A
H	H	L	X	L	L	L	L
H	H	X	L	L	L	L	L
X	X	H	H	H	L	L	H
X	L	X	L	COUNT			
L	X	L	X	COUNT			
L	X	X	L	COUNT			
X	L	L	X	COUNT			

LS93
Reset/Count Truth Table

Reset Inputs		Output			
R0(1)	R0(2)	Q _D	Q _C	Q _B	Q _A
H	H	L	L	L	L
L	X	COUNT			
X	L	COUNT			

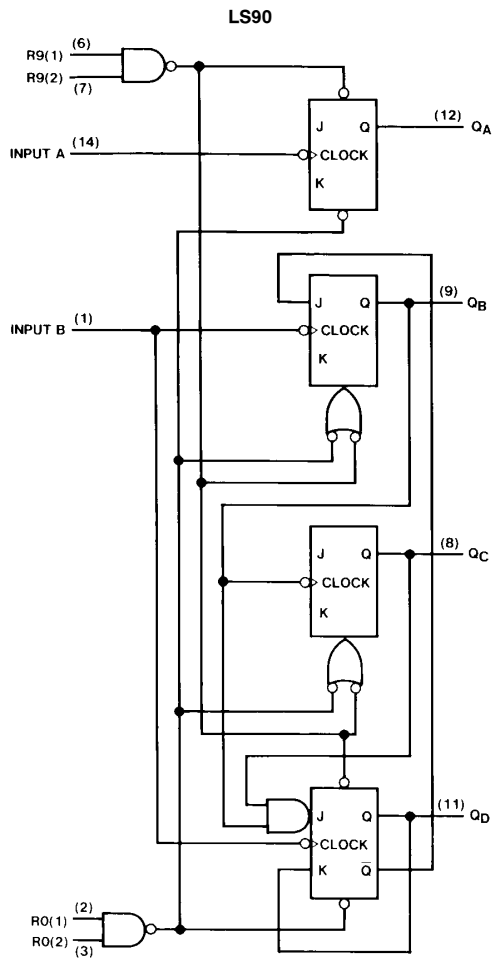
Note A: Output Q_A is connected to input B for BCD count.

Note B: Output Q_D is connected to input A for bi-quinary count.

Note C: Output Q_A is connected to input B.

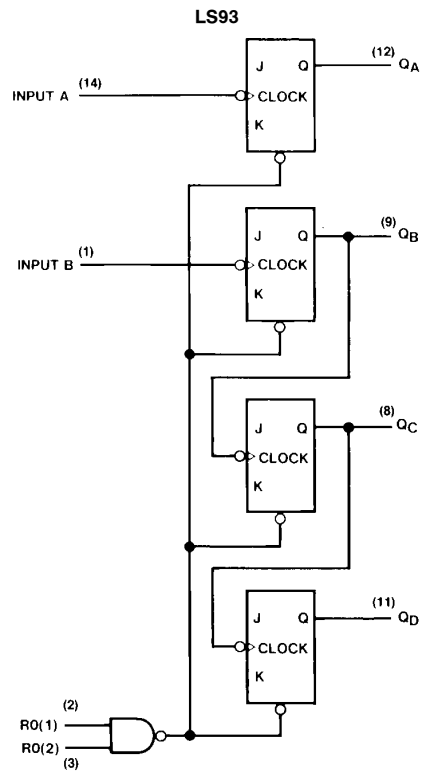
Note D: H = High Level, L = Low Level, X = Don't Care.

Logic Diagrams



TL/F/6381-3

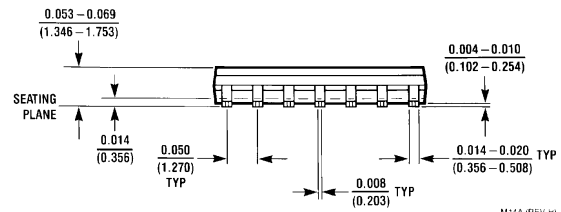
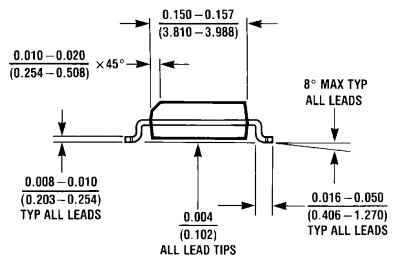
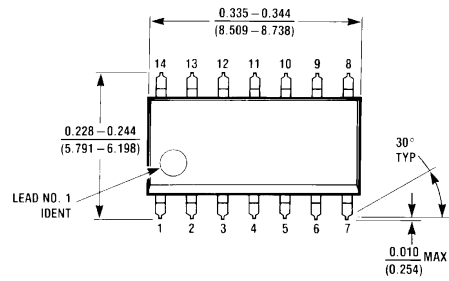
The J and K inputs shown without connection are for reference only and are functionally at a high level.



TL/F/6381-4



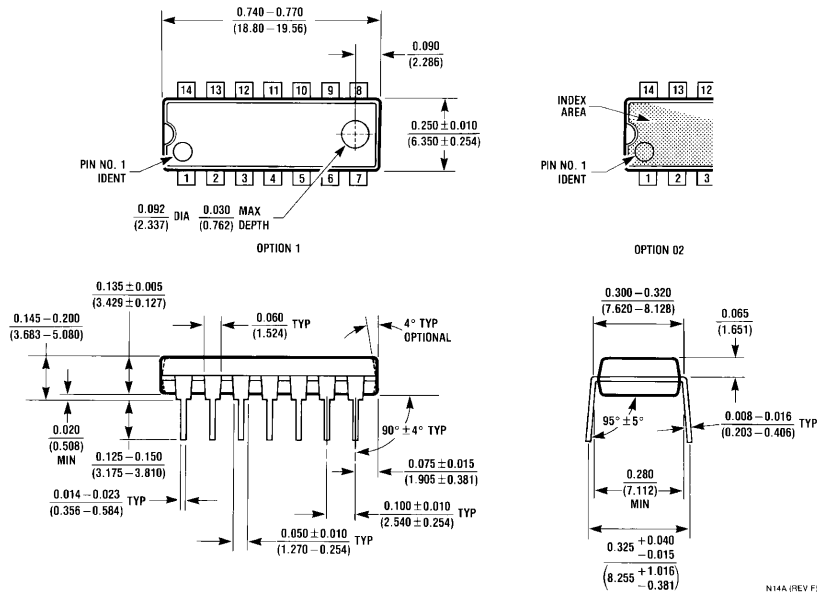
Physical Dimensions inches (millimeters)



M14A (REV HI)

14-Lead Small Outline Molded Package (M)
Order Number DM74LS90M or DM74LS93M
NS Package Number M14A

Physical Dimensions inches (millimeters) (Continued)



14-Lead Molded Dual-In-Line Package (N)
Order Number DM74LS90N or DM74LS93N
NS Package Number N14A

N14A (REV F)

LIFE SUPPORT POLICY

NATIONAL'S PRODUCTS ARE NOT AUTHORIZED FOR USE AS CRITICAL COMPONENTS IN LIFE SUPPORT DEVICES OR SYSTEMS WITHOUT THE EXPRESS WRITTEN APPROVAL OF THE PRESIDENT OF NATIONAL SEMICONDUCTOR CORPORATION. As used herein:

1. Life support devices or systems are devices or systems which, (a) are intended for surgical implant into the body, or (b) support or sustain life, and whose failure to perform, when properly used in accordance with instructions for use provided in the labeling, can be reasonably expected to result in a significant injury to the user.
2. A critical component is any component of a life support device or system whose failure to perform can be reasonably expected to cause the failure of the life support device or system, or to affect its safety or effectiveness.



National Semiconductor Corporation
 1111 West Bardin Road
 Arlington, TX 76017
 Tel: 1(800) 272-9959
 Fax: 1(800) 737-7018

National Semiconductor Europe
 Fax: (+49) 0-180-530 85 86
 Email: cnjwge@tevm2.nsc.com
 Deutsch Tel: (+49) 0-180-530 85 85
 English Tel: (+49) 0-180-532 78 32
 Français Tel: (+49) 0-180-532 93 58
 Italiano Tel: (+49) 0-180-534 16 80

National Semiconductor Hong Kong Ltd.
 19th Floor, Straight Block,
 Ocean Centre, 5 Canton Rd.
 Tsimshatsui, Kowloon
 Hong Kong
 Tel: (852) 2737-1600
 Fax: (852) 2736-9960

National Semiconductor Japan Ltd.
 Tel: 81-043-299-2309
 Fax: 81-043-299-2408

National does not assume any responsibility for use of any circuitry described, no circuit patent licenses are implied and National reserves the right at any time without notice to change said circuitry and specifications.