



## Programmable Array Logic (PAL®) 24-Pin Exclusive-OR PAL Family

### General Description

The 24-pin Exclusive-OR PAL family contains four industry-standard PAL architectures optimized for a specific class of applications. National Semiconductor's advanced Schottky TTL process with titanium tungsten fusible links provides high-speed user-programmable replacements for conventional SSI/MSI logic with significant chip-count reduction.

Programmable logic devices provide convenient solutions for a wide variety of application-specific functions, including random logic, custom decoders, state machines, etc. By programming fusible links to configure AND/OR gate connections, the system designer can implement custom logic as convenient sum-of-products Boolean functions. System prototyping and design iterations can be performed quickly using these off-the-shelf products. A large variety of programming units and software makes design development and functional testing of PAL devices quick and easy.

The PAL logic array has a total of 20 complementary inputs and 10 outputs generated by a single programmable AND-gate array with fixed OR-gate connections. Device outputs are either taken directly from the AND-OR functions (combinatorial) or passed through exclusive-OR gates and D-type flip-flops (registered). Registers allow the PAL device to implement sequential logic circuits. The exclusive-OR functions provide easy implementation of the "hold" operation used in counters and other state sequences. TRI-STATE®

outputs facilitate busing and provide bidirectional I/O capability. The exclusive-OR PAL family offers a variety of combinatorial and registered output mixtures, as shown in the Device Types table below.

Series-A devices have power-up reset and register preload features available. On power-up, all registers are reset to simplify sequential circuit design and testing. Direct register preload is also provided to facilitate device testing. Security fuses can be programmed to prevent direct copying of proprietary logic patterns.

### Features

- As fast as 30 ns maximum propagation delay (combinatorial)
- Exclusive-OR function facilitates design of counters and state sequences
- User-programmable replacement for TTL logic
- Large variety of JEDEC-compatible programming equipment and design development software available
- Fully supported by National PLAN™ development software
- Power-up reset for registered outputs (Series-A)
- Register preload facilitates device testing (Series-A)
- Security fuse prevents direct copying of logic patterns

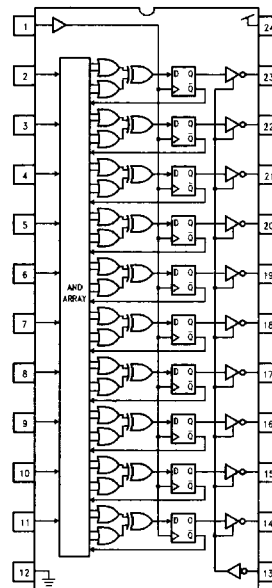
### Device Types

| Device Type | Dedicated Inputs | Registered Outputs (With Feedback) | Combinatorial |         |
|-------------|------------------|------------------------------------|---------------|---------|
|             |                  |                                    | I/Os          | Outputs |
| PAL20L10    | 14               | —                                  | 6             | 2       |
| PAL20X4     | 12               | 4                                  | 4             | —       |
| PAL20X8     | 12               | 6                                  | 2             | —       |
| PAL20X10    | 12               | 8                                  | —             | —       |

### Speed/Power Versions

| Series   | Example   | Commercial      |                 | Military        |                 |
|----------|-----------|-----------------|-----------------|-----------------|-----------------|
|          |           | t <sub>PD</sub> | I <sub>CC</sub> | t <sub>PD</sub> | I <sub>CC</sub> |
| Standard | PAL20L10  | 50 ns           | 165 mA          | 60 ns           | 165 mA          |
| A        | PAL20L10A | 30 ns           | 165 mA          | 35 ns           | 165 mA          |

### Block Diagram—PAL20X10



TL/L/9998-1

**Standard Series** (PAL20L10, PAL20X4, PAL20X8, PAL20X10)**Absolute Maximum Ratings** (Note 1)

If Military/Aerospace specified devices are required, please contact the National Semiconductor Sales Office/Distributors for availability and specifications.

|                                      |                   |
|--------------------------------------|-------------------|
| Supply Voltage ( $V_{CC}$ ) (Note 2) | -0.5V to +7.0V    |
| Input Voltage (Notes 2 and 3)        | -1.5V to +5.5V    |
| Off-State Output Voltage (Note 2)    | -1.5V to +5.5V    |
| Input Current (Note 2)               | -30 mA to +5.0 mA |
| Output Current ( $I_{OL}$ )          | +100 mA           |

|  |                 |
|--|-----------------|
| Storage Temperature                    | -65°C to +150°C |
| Ambient Temperature with Power Applied | -65°C to +125°C |
| Junction Temperature                   | -65°C to +150°C |

**Recommended Operating Conditions**

| Symbol    | Parameter                                  | Military         |     |      | Commercial |     |      | Units |     |
|-----------|--|------------------|-----|------|------------|-----|------|-------|-----|
|           |  | Min              | Nom | Max  | Min        | Nom | Max  |       |     |
| $V_{CC}$  | Supply Voltage                             | 4.5              | 5   | 5.5  | 4.75       | 5   | 5.25 | V     |     |
| $T_A$     | Operating Free-Air Temperature             | -55              |     |      | 0          |     | 75   | °C    |     |
| $T_C$     | Operating Case Temperature                 |                  |     | 125  |            |     |      | °C    |     |
| $t_W$     | Clock Pulse Width                          | Low              | 40  | 20   | 35         | 20  |      | ns    |     |
|           |  | High             | 30  | 10   | 25         | 10  |      | ns    |     |
| $t_{SU}$  | Setup Time from Input or Feedback to Clock | 60               | 38  |      | 50         | 38  |      | ns    |     |
| $t_H$     | Hold Time of Input after Clock             | 0                | -15 |      | 0          | -15 |      | ns    |     |
| $f_{CLK}$ | Clock Frequency (Note 4)                   | With Feedback    |     | 17.2 | 10.0       |     | 17.2 | 12.5  | MHz |
|           |  | Without Feedback |     | 33.3 | 14.3       |     | 33.3 | 16.7  | MHz |

**Electrical Characteristics** Over Recommended Operating Conditions (Note 5)

| Symbol    | Parameter                                    | Test Conditions                            |                            |     | Min | Typ   | Max   | Units |
|-----------|--|--|----------------------------|-----|-----|-------|-------|-------|
| $V_{IL}$  | Low Level Input Voltage (Note 6)             |  |                            |     |     |       | 0.8   | V     |
| $V_{IH}$  | High Level Input Voltage (Note 6)            |  |                            |     | 2   |       |       | V     |
| $V_{IC}$  | Input Clamp Voltage                          | $V_{CC} = \text{Min}, I = -18 \text{ mA}$  |                            |     |     | -0.8  | -1.5  | V     |
| $I_{IL}$  | Low Level Input Current (Note 7)             | $V_{CC} = \text{Max}, V_I = 0.4 \text{ V}$ |                            |     |     | -0.02 | -0.25 | mA    |
| $I_{IH}$  | High Level Input Current (Note 7)            | $V_{CC} = \text{Max}, V_I = 2.4 \text{ V}$ |                            |     |     |       | 25    | μA    |
| $I_I$     | Maximum Input Current                        | $V_{CC} = \text{Max}, V_I = 5.5 \text{ V}$ |                            |     |     |       | 1.0   | mA    |
| $V_{OL}$  | Low Level Output Voltage                     | $V_{CC} = \text{Min}$                      | $I_{OL} = 12 \text{ mA}$   | MIL |     | 0.3   | 0.5   | V     |
|           |  |  | $I_{OL} = 24 \text{ mA}$   | COM |     |       |       |       |
| $V_{OH}$  | High Level Output Voltage                    | $V_{CC} = \text{Min}$                      | $I_{OH} = -2 \text{ mA}$   | MIL | 2.4 | 2.9   |       | V     |
|           |  |  | $I_{OH} = -3.2 \text{ mA}$ | COM |     |       |       |       |
| $I_{OZL}$ | Low Level Off-State Output Current (Note 7)  | $V_{CC} = \text{Max}$                      | $V_O = 0.4 \text{ V}$      |     |     |       | -100  | μA    |
| $I_{OZH}$ | High Level Off-State Output Current (Note 7) | $V_{CC} = \text{Max}$                      | $V_O = 2.4 \text{ V}$      |     |     |       | 100   | μA    |
| $I_{OS}$  | Output Short-Circuit Current (Note 8)        | $V_{CC} = 5 \text{ V}, V_O = 0 \text{ V}$  |                            |     | -30 | -70   | -130  | mA    |
| $I_{CC}$  | Supply Current                               | $V_{CC} = \text{Max},$<br>Outputs Open     | 20L10                      |     |     | 90    | 165   | mA    |
|           |  |  | 20X4, 20X8, 20X10          |     |     | 120   | 180   |       |

## Standard Series (PAL20L10, PAL20X4, PAL20X8, PAL20X10) (Continued)

**Note 1:** Absolute maximum ratings are those values beyond which the device may be permanently damaged. Proper operation is not guaranteed outside the specified recommended operating conditions.

**Note 2:** Some device pins may be raised above these limits during programming and preload operations according to the applicable specification.

**Note 3:** It is recommended that precautions be taken to minimize electrostatic discharge when handling and testing this product. Pins 1 and 13 (DIP) are connected directly to the security fuses, and the security fuses may be damaged preventing subsequent programming and verification operations.

**Note 4:**  $t_{CLK}$  with feedback is derived as  $(t_{CLK} + t_{SU})^{-1}$ .  
 $t_{CLK}$  without feedback is derived as  $(t_{WLOW} + t_{WHIGH})^{-1}$ .

**Note 5:** All typical values are for  $V_{CC} = 5.0V$  and  $T_A = 25^{\circ}C$ .

**Note 6:** These are absolute voltages with respect to the ground pin on the device and include all overshoots due to system and/or tester noise. Do not attempt to test these values without suitable equipment.

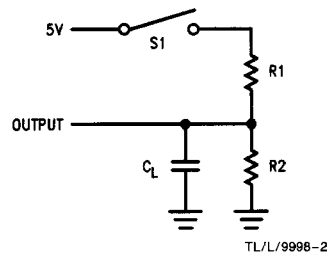
**Note 7:** Leakage current for bidirectional I/O pins is the worst case between  $I_{IL}$  and  $I_{OZL}$  or between  $I_{IH}$  and  $I_{OZH}$ .

**Note 8:** To avoid invalid readings in other parameter tests it is preferable to conduct the  $I_{OS}$  test last. To minimize internal heating, only one output should be shorted at a time with a maximum duration of 1.0 sec. each. Prolonged shorting of a high output may raise the chip temperature above normal and permanent damage may result.

## Switching Characteristics Over Recommended Operating Conditions

| Symbol     | Parameter   | Test Conditions  | Military |     |     | Commercial |     |     | Units |
|------------|---|--|----------|-----|-----|------------|-----|-----|-------|
|            |   |  | Min      | Typ | Max | Min        | Typ | Max |       |
| $t_{PD}$   | Input or Feedback to Combinatorial Output               | $C_L = 50$ pF, S1 Closed   |          | 35  | 60  |            | 35  | 50  | ns    |
| $t_{CLK}$  | Clock to Registered Output or Feedback                  | $C_L = 50$ pF, S1 Closed   |          | 20  | 40  |            | 20  | 30  | ns    |
| $t_{PXG}$  | $\bar{G}$ Pin to Registered Output Enabled              | $C_L = 50$ pF, Active High: S1 Open, Active Low: S1 Closed       |          | 20  | 45  |            | 20  | 35  | ns    |
| $t_{PXZG}$ | $\bar{G}$ Pin to Registered Output Disabled             | $C_L = 5$ pF, from $V_{OH}$ : S1 Open, from $V_{OL}$ : S1 Closed |          | 20  | 45  |            | 20  | 35  | ns    |
| $t_{PXI}$  | Input to Combinatorial Output Enabled via Product Term  | $C_L = 50$ pF, Active High: S1 Open, Active Low: S1 Closed       |          | 35  | 55  |            | 35  | 45  | ns    |
| $t_{PXZ}$  | Input to Combinatorial Output Disabled via Product Term | $C_L = 5$ pF, from $V_{OH}$ : S1 Open, from $V_{OL}$ : S1 Closed |          | 35  | 55  |            | 35  | 45  | ns    |

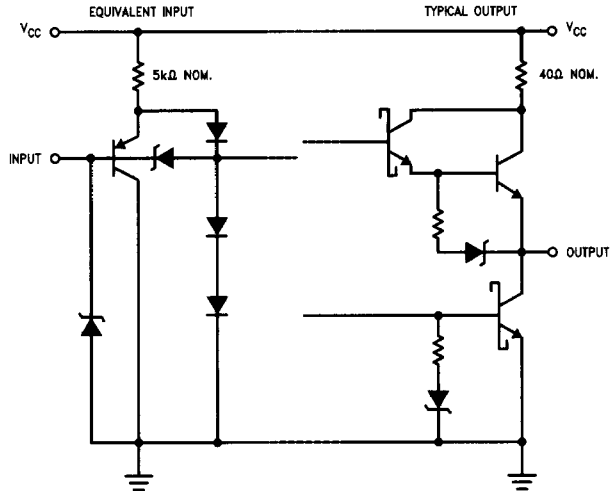
### Test Load



|          |          |
|----------|----------|
| MIL      | COM'L    |
| R1 = 390 | R1 = 200 |
| R2 = 750 | R2 = 390 |

TL/L/9998-2

### Schematic of Inputs and Outputs



TL/L/9998-3

**Series—A** (PAL20L10A, PAL20X4A, PAL20X8A, PAL20X10A)**Absolute Maximum Ratings** (Note 1)

If Military/Aerospace specified devices are required, please contact the National Semiconductor Sales Office/Distributors for availability and specifications.

|                                      |                   |
|--------------------------------------|-------------------|
| Supply Voltage ( $V_{CC}$ ) (Note 2) | -0.5V to +7.0V    |
| Input Voltage (Note 2)               | -1.5V to +5.5V    |
| Off-State Output Voltage (Note 2)    | -1.5V to +5.5V    |
| Input Current (Note 2)               | -30 mA to +5.0 mA |
| Output Current ( $I_{OL}$ )          | +100 mA           |

|  |                 |
|--|-----------------|
| Storage Temperature                    | -65°C to +150°C |
| Ambient Temperature with Power Applied | -65°C to +125°C |
| Junction Temperature                   | -65°C to +150°C |
| ESD Tolerance (Note 3)                 | 2000V           |
| $CZAP = 100$ pF                        |                 |
| $RZAP = 1500\Omega$                    |                 |
| Test Method: Human Body Model          |                 |
| Test Specification: NSC SOP-5-028      |                 |

**Recommended Operating Conditions**

| Symbol    | Parameter                                  | Military         |     |      | Commercial |     |      | Units |
|-----------|--|------------------|-----|------|------------|-----|------|-------|
|           |  | Min              | Nom | Max  | Min        | Nom | Max  |       |
| $V_{CC}$  | Supply Voltage                             | 4.5              | 5   | 5.5  | 4.75       | 5   | 5.25 | V     |
| $T_A$     | Operating Free-Air Temperature             | -55              |     |      | 0          |     | 75   | °C    |
| $T_C$     | Operating Case Temperature                 |                  |     | 125  |            |     |      | °C    |
| $t_W$     | Clock Pulse Width                          | Low              | 35  | 15   | 25         | 15  |      | ns    |
|           |  | High             | 20  | 7    | 15         | 7   |      | ns    |
| $t_{SU}$  | Setup Time from Input or Feedback to Clock | 40               | 20  |      | 30         | 20  |      | ns    |
| $t_H$     | Hold Time of Input after Clock             | 0                | -15 |      | 0          | -15 |      | ns    |
| $f_{CLK}$ | Clock Frequency (Note 4)                   | With Feedback    |     | 15.4 |            |     | 22.2 | MHz   |
|           |  | Without Feedback |     | 18.2 |            |     | 25.0 | MHz   |

**Electrical Characteristics** Over Recommended Operating Conditions (Note 5)

| Symbol    | Parameter                                    | Test Conditions                      |                      | Min | Typ   | Max   | Units   |   |
|-----------|--|--------------------------------------|----------------------|-----|-------|-------|---------|---|
| $V_{IL}$  | Low Level Input Voltage (Note 6)             |                                      |                      |     |       | 0.8   | V       |   |
| $V_{IH}$  | High Level Input Voltage (Note 6)            |                                      |                      | 2   |       |       | V       |   |
| $V_{IC}$  | Input Clamp Voltage                          | $V_{CC} = \text{Min}, I = -18$ mA    |                      |     | -0.8  | -1.5  | V       |   |
| $I_{IL}$  | Low Level Input Current (Note 7)             | $V_{CC} = \text{Max}, V_I = 0.4$ V   |                      |     | -0.04 | -0.25 | mA      |   |
| $I_{IH}$  | High Level Input Current (Note 7)            | $V_{CC} = \text{Max}, V_I = 2.4$ V   |                      |     |       | 25    | $\mu$ A |   |
| $I_I$     | Maximum Input Current                        | $V_{CC} = \text{Max}, V_I = 5.5$ V   |                      |     |       | 100   | $\mu$ A |   |
| $V_{OL}$  | Low Level Output Voltage                     | $V_{CC} = \text{Min}$                | $I_{OL} = 12$ mA     | MIL |       | 0.3   | 0.5     | V |
|           |  |                                      | $I_{OL} = 24$ mA     | COM |       |       |         |   |
| $V_{OH}$  | High Level Output Voltage                    | $V_{CC} = \text{Min}$                | $I_{OH} = -2$ mA     | MIL | 2.4   | 2.9   |         | V |
|           |  |                                      | $I_{OH} = -3.2$ mA   | COM |       |       |         |   |
| $I_{OZL}$ | Low Level Off-State Output Current (Note 7)  | $V_{CC} = \text{Max}$                | $V_O = 0.4$ V        |     |       | -100  | $\mu$ A |   |
| $I_{OZH}$ | High Level Off-State Output Current (Note 7) | $V_{CC} = \text{Max}$                | $V_O = 2.4$ V        |     |       | 100   | $\mu$ A |   |
| $I_{OS}$  | Output Short-Circuit Current (Note 8)        | $V_{CC} = 5$ V, $V_O = 0$ V          |                      | -30 | -70   | -130  | mA      |   |
| $I_{CC}$  | Supply Current                               | $V_{CC} = \text{Max}$ , Outputs Open | 20L10A               |     | 115   | 165   | mA      |   |
|           |  |                                      | 20X4A, 20X8A, 20X10A |     | 135   | 180   |         |   |

## Series—A (PAL20L10A, PAL20X4A, PAL20X8A, PAL20X10A) (Continued)

**Note 1:** Absolute maximum ratings are those values beyond which the device may be permanently damaged. Proper operation is not guaranteed outside the specified recommended operating conditions.

**Note 2:** Some device pins may be raised above these limits during programming and preload operations according to the applicable specification.

**Note 3:** It is recommended that precautions be taken to minimize electrostatic discharge when handling and testing this product. Pins 1 and 13 (DIP) are connected directly to the security fuses, and although the input circuitry can withstand the specified ESD conditions, the security fuses may be damaged preventing subsequent programming and verification operations.

**Note 4:**  $f_{CLK}$  with feedback is derived as  $(t_{CLK} + t_{SU})^{-1}$ .  
 $f_{CLK}$  without feedback is derived as  $(t_{WLOW} + t_{WHIGH})^{-1}$ .

**Note 5:** All typical values are for  $V_{CC} = 5.0V$  and  $T_A = 25^\circ C$ .

**Note 6:** These are absolute voltages with respect to the ground pin on the device and include all overshoots due to system and/or tester noise. Do not attempt to test these values without suitable equipment.

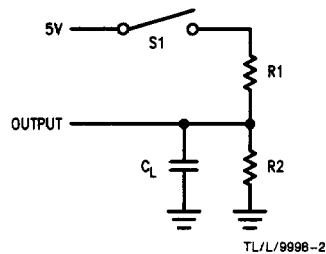
**Note 7:** Leakage current for bidirectional I/O pins is the worst case between  $I_{IL}$  and  $I_{OZL}$  or between  $I_{IH}$  and  $I_{OZH}$ .

**Note 8:** To avoid invalid readings in other parameter tests it is preferable to conduct the  $t_{OS}$  test last. To minimize internal heating, only one output should be shorted at a time with a maximum duration of 1.0 sec. each. Prolonged shorting of a high output may raise the chip temperature above normal and permanent damage may result.

### Switching Characteristics Over Recommended Operating Conditions

| Symbol      | Parameter   | Test Conditions  | Military |     |      | Commerical |     |      | Units |
|-------------|---|--|----------|-----|------|------------|-----|------|-------|
|             |   |  | Min      | Typ | Max  | Min        | Typ | Max  |       |
| $t_{PD}$    | Input or Feedback to Combinatorial Output               | $C_L = 50$ pF, S1 Closed   |          | 23  | 35   |            | 23  | 30   | ns    |
| $t_{CLK}$   | Clock to Registered Output or Feedback                  | $C_L = 50$ pF, S1 Closed   |          | 10  | 25   |            | 10  | 15   | ns    |
| $t_{PZXG}$  | $\bar{G}$ Pin to Registered Output Enabled              | $C_L = 50$ pF, Active High: S1 Open, Active Low: S1 Closed       |          | 11  | 25   |            | 11  | 20   | ns    |
| $t_{PXZG}$  | $\bar{G}$ Pin to Registered Output Disabled             | $C_L = 5$ pF, from $V_{OH}$ : S1 Open, from $V_{OL}$ : S1 Closed |          | 10  | 25   |            | 10  | 20   | ns    |
| $t_{PZXI}$  | Input to Combinatorial Output Enabled via Product Term  | $C_L = 50$ pF, Active High: S1 Open, Active Low: S1 Closed       |          | 19  | 35   |            | 19  | 30   | ns    |
| $t_{PXZI}$  | Input to Combinatorial Output Disabled via Product Term | $C_L = 5$ pF, from $V_{OH}$ : S1 Open, from $V_{OL}$ : S1 Closed |          | 15  | 35   |            | 15  | 30   | ns    |
| $t_{RESET}$ | Power-Up to Registered Output High                      |  |          | 600 | 1000 |            | 600 | 1000 | ns    |

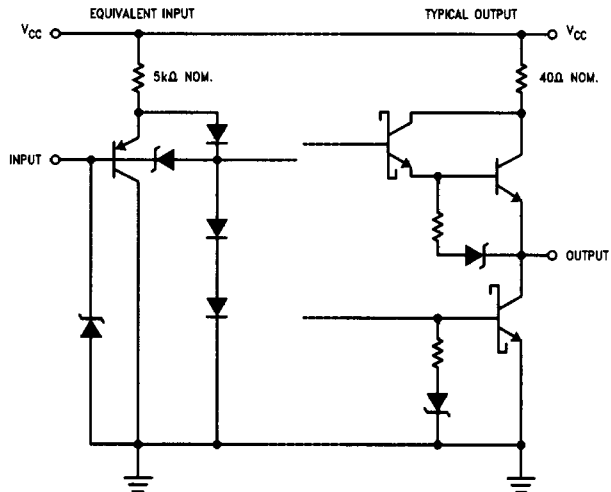
### Test Load



TL/L/9998-2

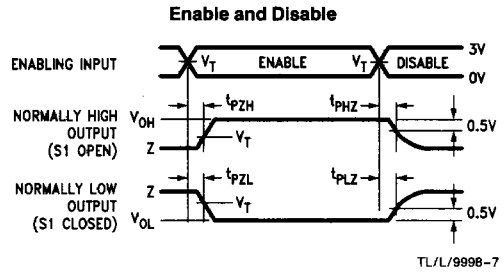
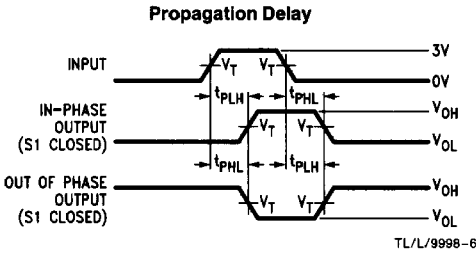
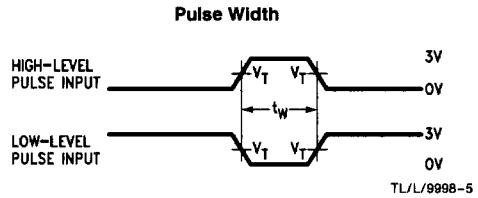
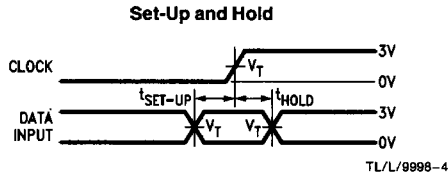
| MIL      | COM'L    |
|----------|----------|
| R1 = 390 | R1 = 200 |
| R2 = 750 | R2 = 390 |

### Schematic of Inputs and Outputs



TL/L/9998-3

## Test Waveforms



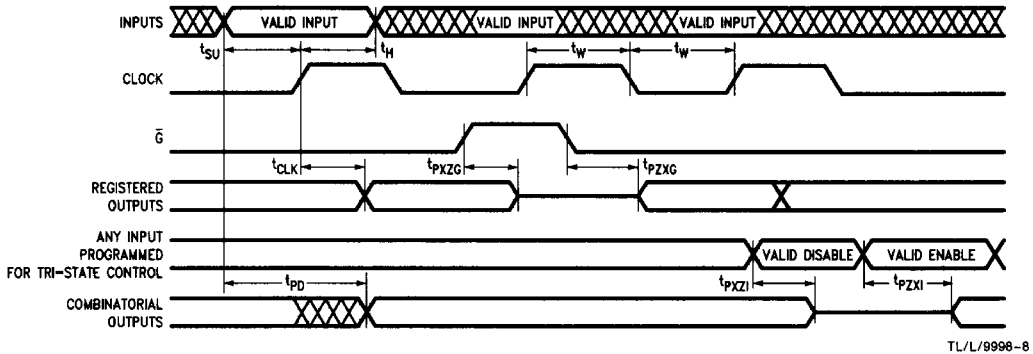
**Notes:**

$V_T = 1.5V$

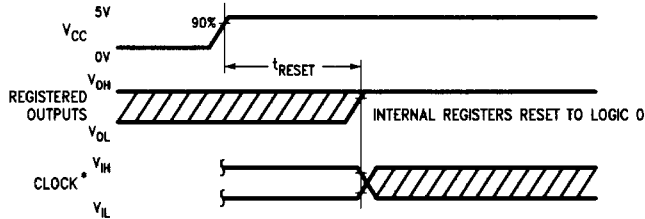
$C_L$  includes probe and jig capacitance.

In the examples above, the phase relationships between inputs and outputs have been chosen arbitrarily.

## Switching Waveforms



## Power-Up Reset Waveform (Series-A only)



\*The clock input should not be switched from low to high until after time  $t_{RESET}$ .

## Functional Description

All of the 24-pin Exclusive-OR PAL logic arrays consist of 20 complementary input lines and 40 product-term lines with a programmable fuse link at each intersection (1600 fuses). The product terms are organized into ten groups of four each. Three or four of the product terms in each group connect into OR-gates to produce the output logic function, depending on whether the output is combinatorial or registered.

An unprogrammed (intact) fuse establishes a connection between an input line (true or complement phase of an array input signal) and a product term; programming the fuse removes the connection. A product term is satisfied (logically true) while all of the input lines connected to it (via unprogrammed fuses) are in the high logic state. Therefore, if both the true and complement of at least one array input is left connected to a product line, that product term is always held in the low logic state (which is the state of all product terms in an unprogrammed device). Conversely, if all fuses on a product term were programmed, the product term would be held in the high state.

The exclusive-OR PAL family consists of four device types with differing mixtures of combinatorial and registered outputs. The 20L10, 20X4, 20X8 and 20X10 architectures have 0, 4, 8 and 10 registered outputs, respectively, with the balance of the 10 outputs combinatorial. All outputs are active-low and have TRI-STATE capability.

Each combinatorial output has a three product-term logic function, with the fourth product term being used for TRI-STATE control. A combinatorial output is enabled while the TRI-STATE product term is satisfied (true). Combinatorial outputs also have feedback paths from the device pins

into the logic array (except for two outputs on the 20L10). This allows a pin to perform bidirectional I/O or, if the associated logic function were left unprogrammed, the output driver would remain disabled and the pin could be used as an additional dedicated input.

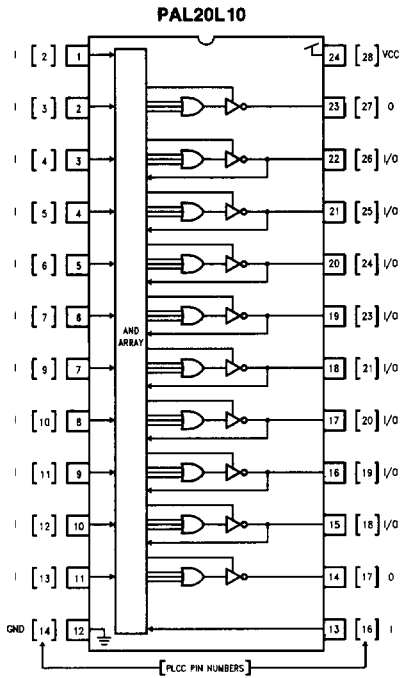
For the registered outputs, the groups of the four product terms are segmented into two OR-sums of two product terms each; which are then combined by an exclusive-OR gate at the input of the D-type flip-flop. All registers are triggered by the high-going edge of the clock input pin. All registered outputs are controlled by a common output enable ( $\bar{G}$ ) pin (enabled while low). The output of each register is also fed back into the logic array via an internal path. This provides for sequential logic circuits (state machines, counters, etc.) which can be sequenced even while the outputs are disabled.

The 24-pin Exclusive-OR PAL Series-A devices reset all registers to a low state upon power-up (active-low outputs assume high logic levels if enabled). This may simplify sequential circuit design and test. To ensure successful power-up reset,  $V_{CC}$  must rise monotonically until the specified operating voltage is attained. During power-up, the clock input should assume a valid, stable logic state as early as possible to avoid interfering with the reset operation. The clock input should also remain stable until after the power-up reset operation is completed to allow the registers to capture the proper next state on the first high-going clock transition.

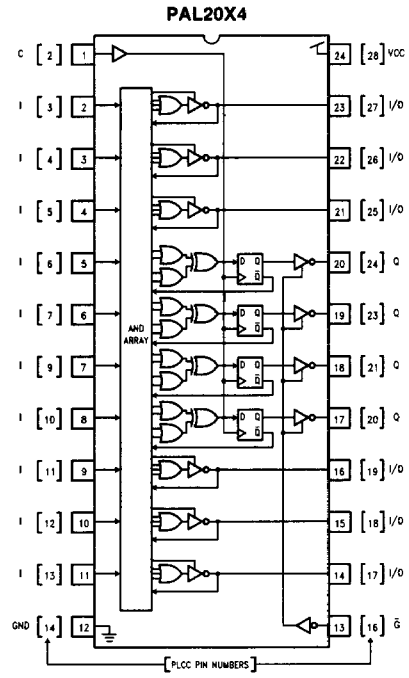
As with any TTL logic circuits, unused inputs to a PAL device should be connected to ground,  $V_{OL}$ ,  $V_{OH}$ , or resistively to  $V_{CC}$ . However, switching any input not connected to a product term or logic function has no effect on its output logic state.

# 24-Pin Exclusive-OR PAL Family Block Diagrams—DIP Connections

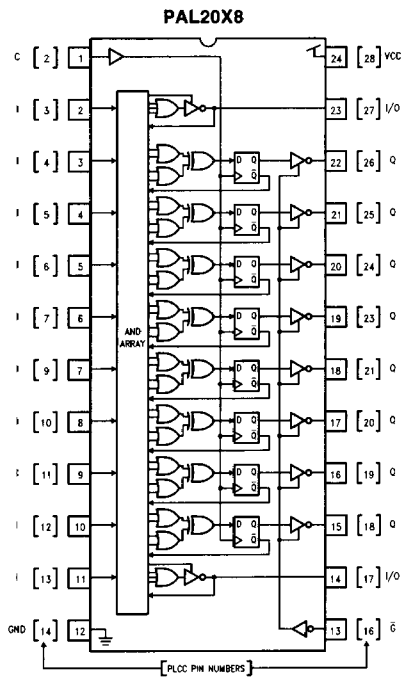
24-Pin Exclusive-OR PAL Family



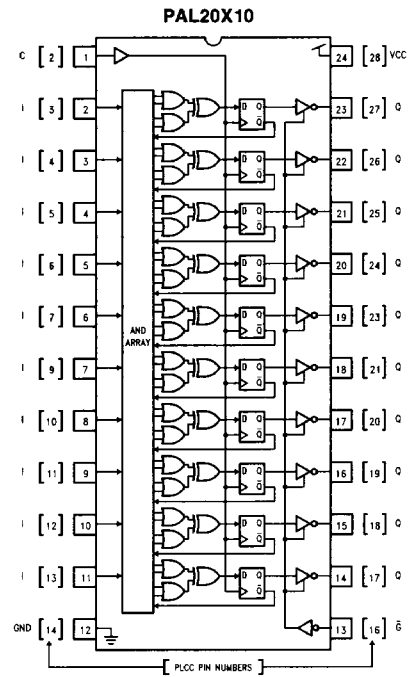
TL/L/9998-10



TL/L/9998-11



TL/L/9998-12

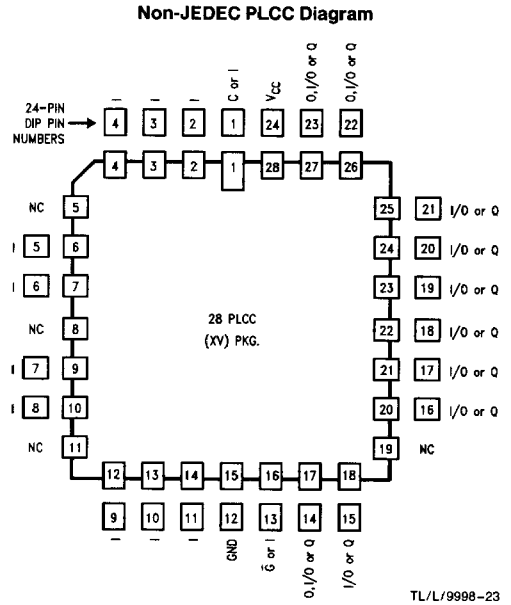
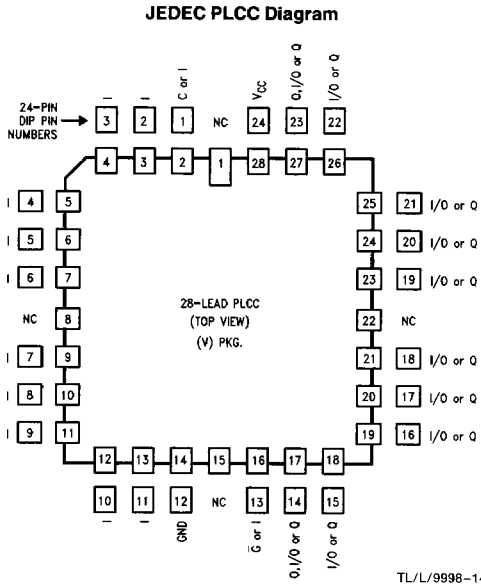


TL/L/9998-13

2

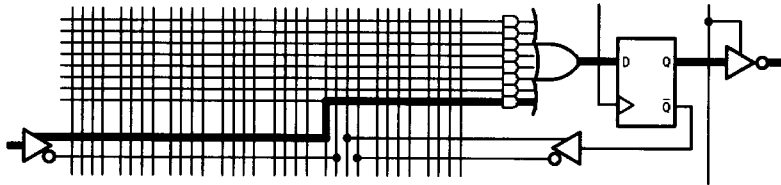


# 28-Lead PLCC Connection Conversion Diagram\*

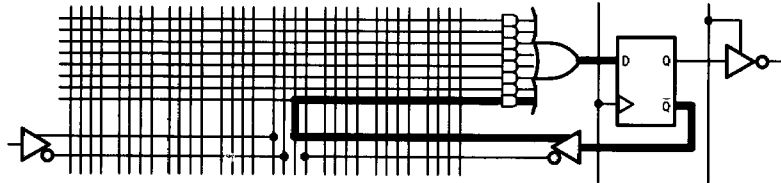


\*For availability of old (Non-JEDEC) pinout, please contact your local National Semiconductor sales representative or distributor. PAL20L10 (Standard Series) is not available in the JEDEC pinout shown above.

**Typical Registered Logic Function Without Feedback**



**Typical Registered Logic Function With Feedback**



## Functional Description (Continued)

### CLOCK FREQUENCY SPECIFICATION

The clock frequency ( $f_{CLK}$ ) parameter specifies the maximum speed at which a registered PAL device is guaranteed to operate. Clock frequency is defined differently for the two cases in which register feedback is used versus when it is not. In a data-path type application, where the logic functions fed into the registers are not dependent on register feedback from the previous cycle (i.e., based only on external inputs), the minimum required cycle period ( $f_{CLK}^{-1}$  without feedback) is defined as the greater of the minimum clock period ( $t_{W\ high} + t_{W\ low}$ ) and the minimum "data window" period ( $t_{SU} + t_{H}$ ). This assumes optimal alignment between data inputs and the clock input. In sequential logic applications such as state machines, the minimum required cycle period ( $f_{CLK}^{-1}$  with feedback) is defined as  $t_{CLK} + t_{SU}$ . This provides sufficient time for outputs from the registers to feed back through the logic array and set-up on the inputs to the registers before the end of each cycle.

### Output Register Preload (Series-A)

The preload function allows the registers to be loaded asynchronously from data placed on the output pins. This feature simplifies device testing since any state may be loaded into the registers at any time during the functional test sequence. This allows complete verification of sequential logic circuits, including states that are normally impossible or difficult to reach. Register preload is not an operational mode and is not intended for board level testing because elevated voltage levels are required. The programming system normally provides the preload capability as part of its functional test facility.

The register preload procedure is as follows:

1.  $V_{CC}$  is raised to 4.5V.
2. Registered outputs are disabled by raising output enable ( $\bar{G}$ ) to  $V_{IH}$ .
3. The desired data values are applied to all registered output pins ( $V_{IL} = \text{set}, V_{IH} = \text{reset}$ ).
4. DIP pin 10 (PCC pin 12) is pulsed to  $V_P$ , then back to  $V_{IL}$ . ( $V_P = 18.0V \pm 0.5V$ ).

5. Data inputs are removed from registered output pins.
6.  $\bar{G}$  is lowered to  $V_{IL}$  to enable registered outputs.
7. The desired data values are verified at all registered outputs ( $V_{OL} = \text{Set}, V_{OH} = \text{Reset}$ ).

**Note:** The minimum recommended time delay ( $t_D$ ) between successive input transitions (including the  $V_P$  pulse width on DIP pin 8) is 100 ns.

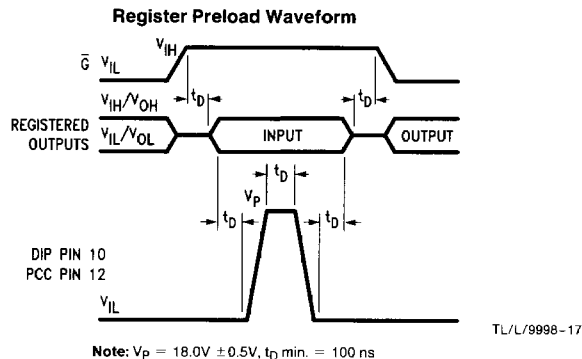
## Security Fuse

Security fuses are provided on all 24-pin Exclusive-OR PAL devices which, when programmed, inhibit any further programming or verifying operations. This feature prevents direct copying of proprietary logic patterns. The security fuses should be programmed only after programming and verifying all other device fuses. Register preload is not affected by the security fuses.

## Design Development Support

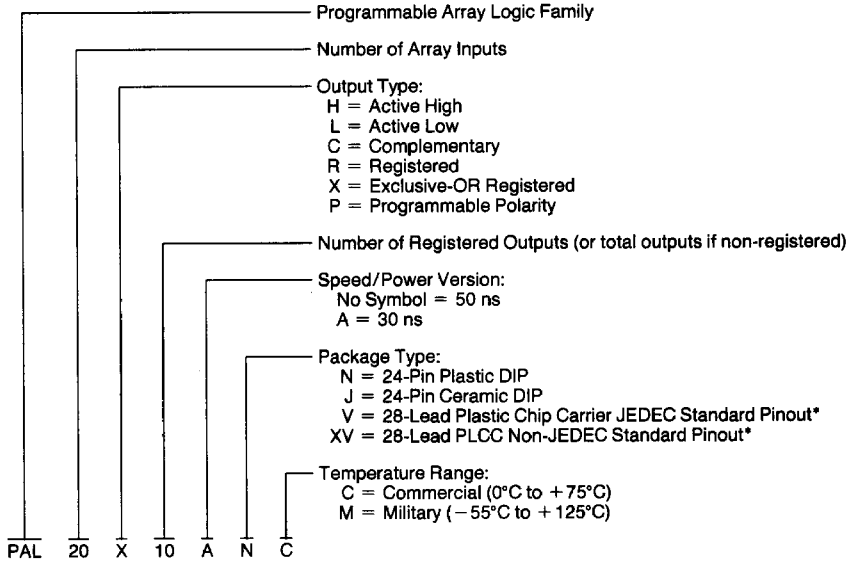
A variety of software tools and programming hardware is available to support the development of designs using PAL products. Typical software packages accept Boolean logic equations to define desired functions. Most are available to run on personal computers and generate JEDEC-compatible "fuse maps". The industry-standard JEDEC format ensures that the resulting fuse-map files can be down-loaded into a large variety of programming equipment. Many software packages and programming units support a large variety of programmable logic products as well. The PLANT<sup>TM</sup> software package from National Semiconductor supports all programmable logic products available from National and is fully JEDEC-compatible. PLAN software also provides automatic device selection based on the designer's Boolean logic equations.

Detailed logic diagrams showing all JEDEC fuse-map addresses for the 24-pin Exclusive-OR PAL family are provided for direct map editing and diagnostic purposes. For a list of current software and programming support tools available for these devices, please contact your local National Semiconductor sales representative or distributor. If detailed specifications of the PAL programming algorithm are needed, please contact the National Semiconductor Programmable Device Support Department.



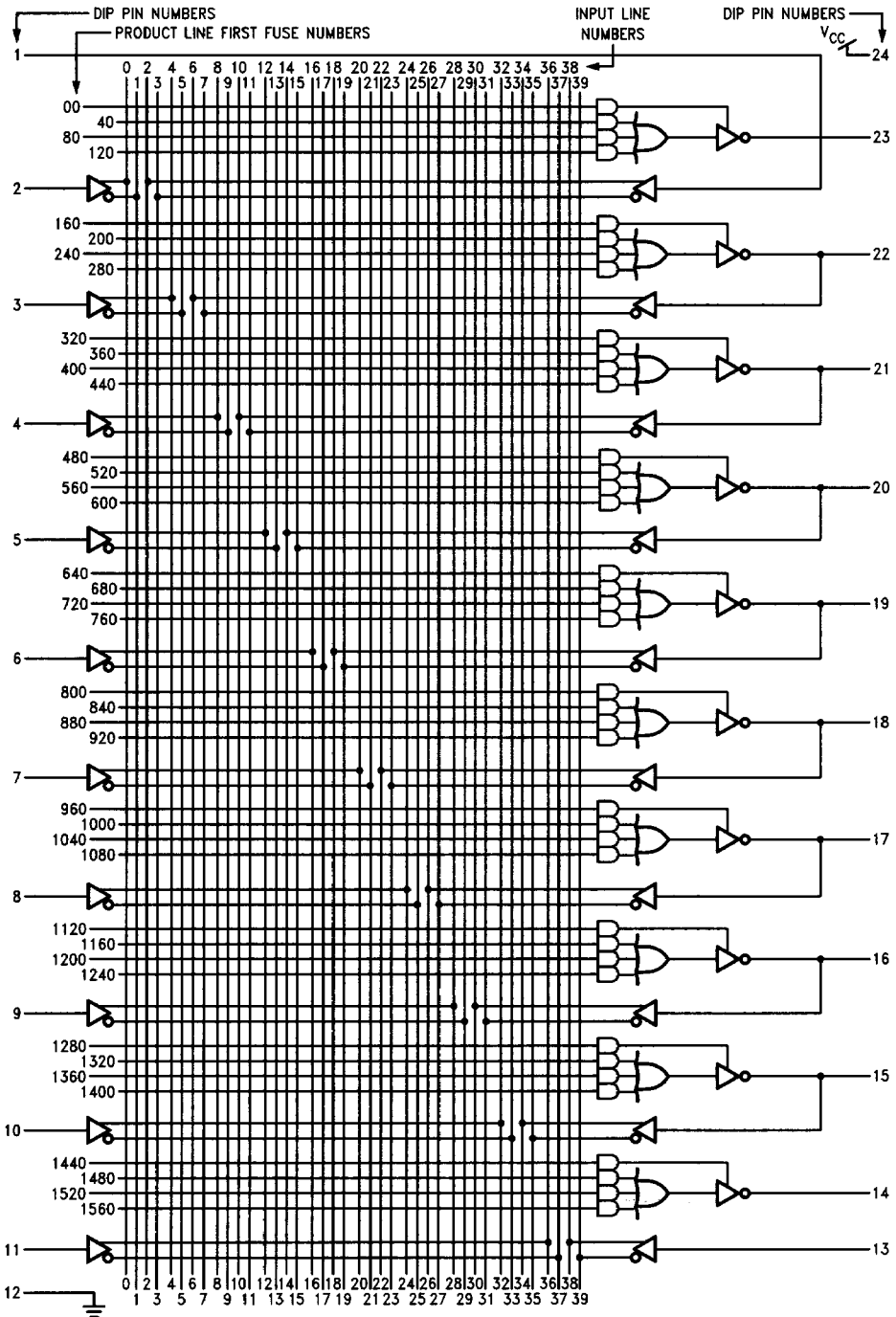
## Ordering Information

The device number is used to form part of a simplified purchasing code where a package type and temperature range are defined as follows:



\*For availability of PAL20L10 in PLCC package, please contact your sales office.

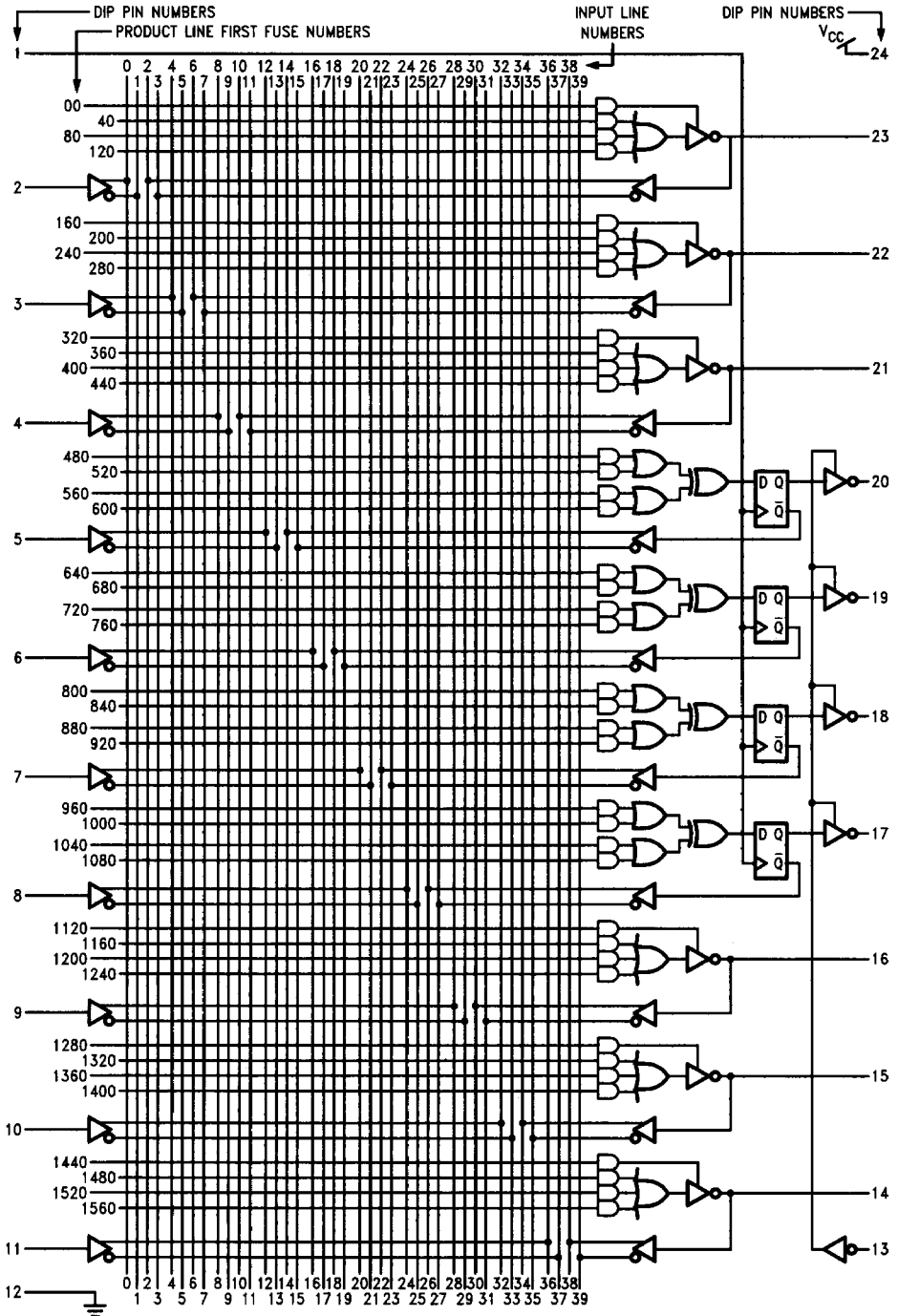
# Logic Diagram PAL20L10



JEDEC Logic Array Fuse Number = Product Line First Fuse Number + Input Line Number.

TL/L/9998-19

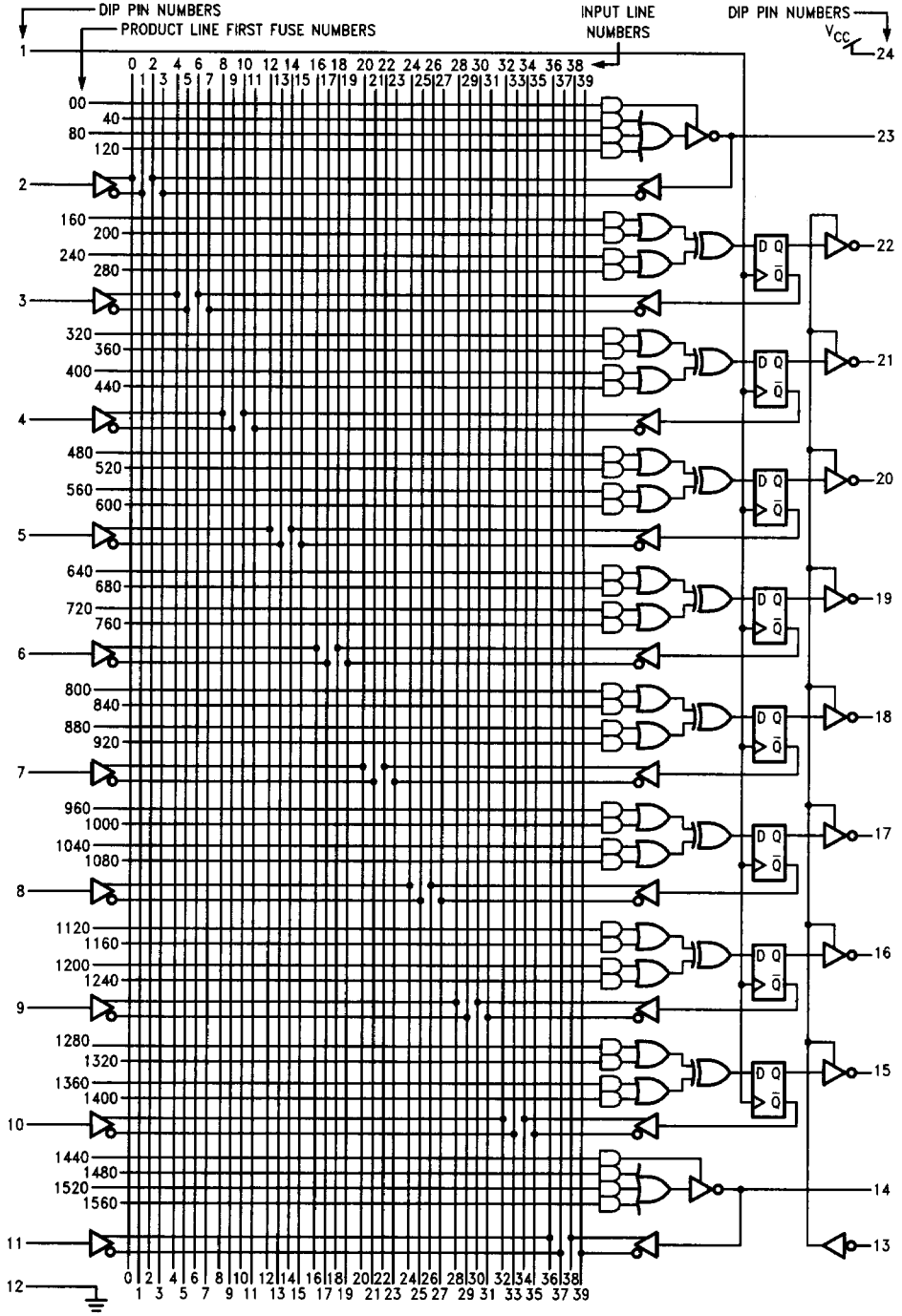
# Logic Diagram PAL20X4



JEDEC Logic Array Fuse Number = Product Line First Fuse Number + Input Line Number.

TL/L/9998-20

# Logic Diagram PAL20X8

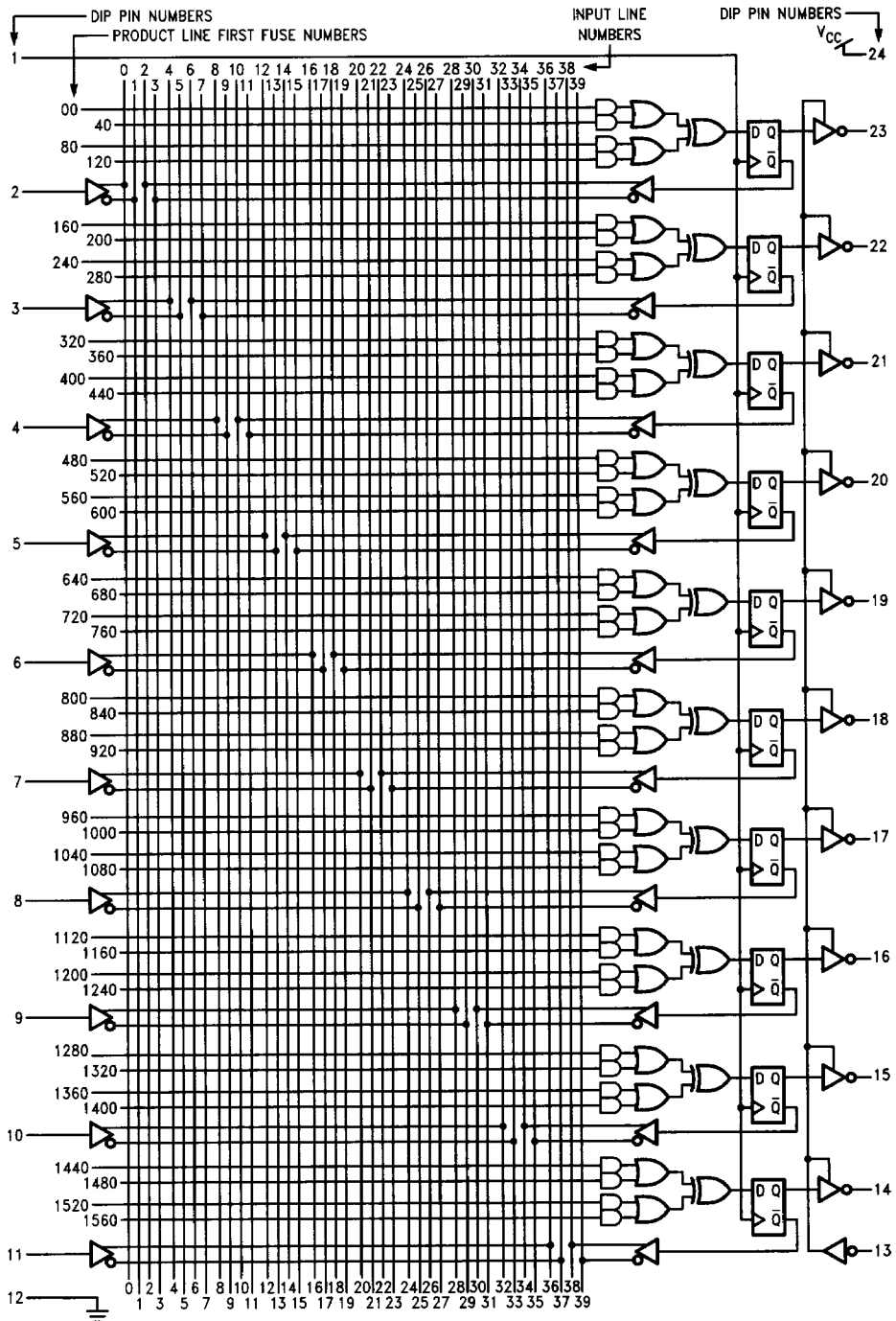


JEDEC Logic Array Fuse Number = Product Line First Fuse Number + Input Line Number.

TL/L/9998-21

24-Pin Exclusive-OR PAL Family

# Logic Diagram PAL20X10



JEDEC Logic Array Fuse Number = Product Line First Fuse Number + Input Line Number.

TL/L/9998-22